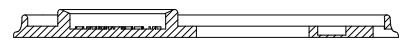
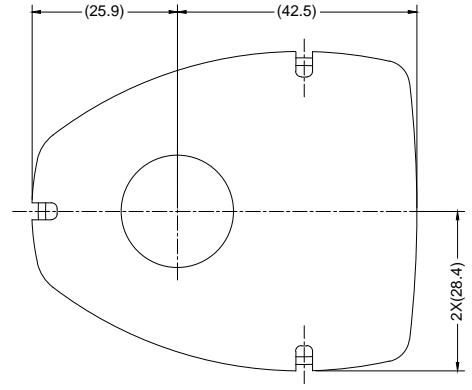
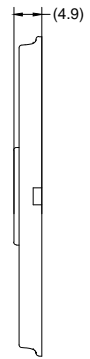
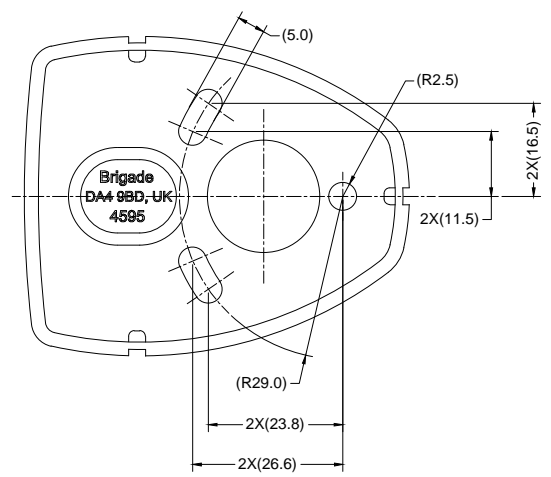


Revision Notes.				
R1 -				
APA: -	Drawn:-	Checked:-	Approved:-	Date: -



- NOTES:
1. MATERIAL: SILICA, BLACK HARDNESS 50±3HA
 2. NO SURFACE COATING.
 3. REFER TO ASSEMBLY PLANT DRAWING SV0117 REV 0.0 FOR DETAILED DIMENSIONS.
 4. PART CANNOT BE DEFORMED AND WARPED

PROPRIETARY NOTICE
 THIS DESIGN AND TECHNICAL INFORMATION APPEARING ON THIS DRAWING IS THE PROPERTY OF BRIGADE ELECTRONICS, AND IS DISCLOSED IN CONFIDENCE. IT IS NOT TO BE COPIED, REPRODUCED, REVEALED TO OR EXPROPRIATED BY OTHERS, EITHER IN WHOLE OR IN PART WITHOUT THE EXPRESS WRITTEN CONSENT OF BRIGADE ELECTRONICS.



Assembly Pl Approval G.WU	Approved by B.JOHN	Checked by R.BATES	Drawn by A.FEDERIGHI
Angle of Projection Third Angle	Units mm	Scale N/A	Released 28/05/14
	Status RELEASED	Assembly Ref VBV-3XXC-RM	
	Part No 4595	BE-002729-00-13	